

FAG

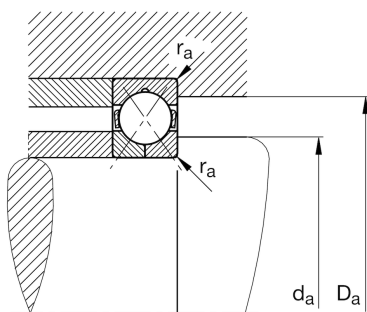
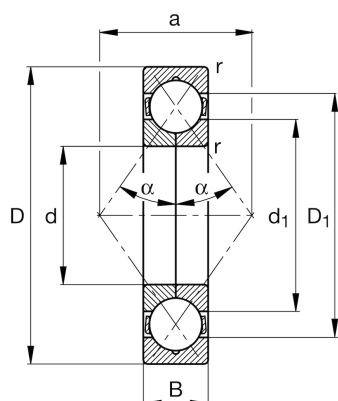
## QJ212-XL-MPA-C3

Four-point contact bearing

Schaeffler ID:  
0192605980030Four point contact bearing QJ2..-XL-MPA,  
X-life, solid brass cage

X-life

## Technical information



## Main Dimensions &amp; Performance Data

d	60 mm	Bore diameter
D	110 mm	Outside diameter
B	22 mm	Width
$C_r$	94.000 N	Basic dynamic load rating, radial
$C_{0r}$	87.000 N	Basic static load rating, radial
$C_{ur}$	6.100 N	Fatigue load limit, radial
$n_G$	12.300 1/min	Limiting speed
$n_{gr}$	5.400 1/min	Reference speed
	0,945 kg	Weight

## Dimensions

$r_{min}$	1,5 mm	Minimum chamfer dimension
$D_1$	93 mm	Shoulder diameter outer ring
$d_1$	77,1 mm	Shoulder diameter inner ring
a	60 mm	Distance between the apexes of the pressure cones
$\alpha$	35 °	Contact angle

## Mounting dimensions

$d_{a min}$	69 mm	Minimum diameter shaft shoulder
$D_{a max}$	101 mm	Maximum diameter of housing shoulder
$r_{a max}$	1,5 mm	Maximum fillet radius

## Temperature range

$T_{min}$	-30 °C	Operating temperature min.
$T_{max}$	150 °C	Operating temperature max.